



10/100Base-T Five Port Transformer Module

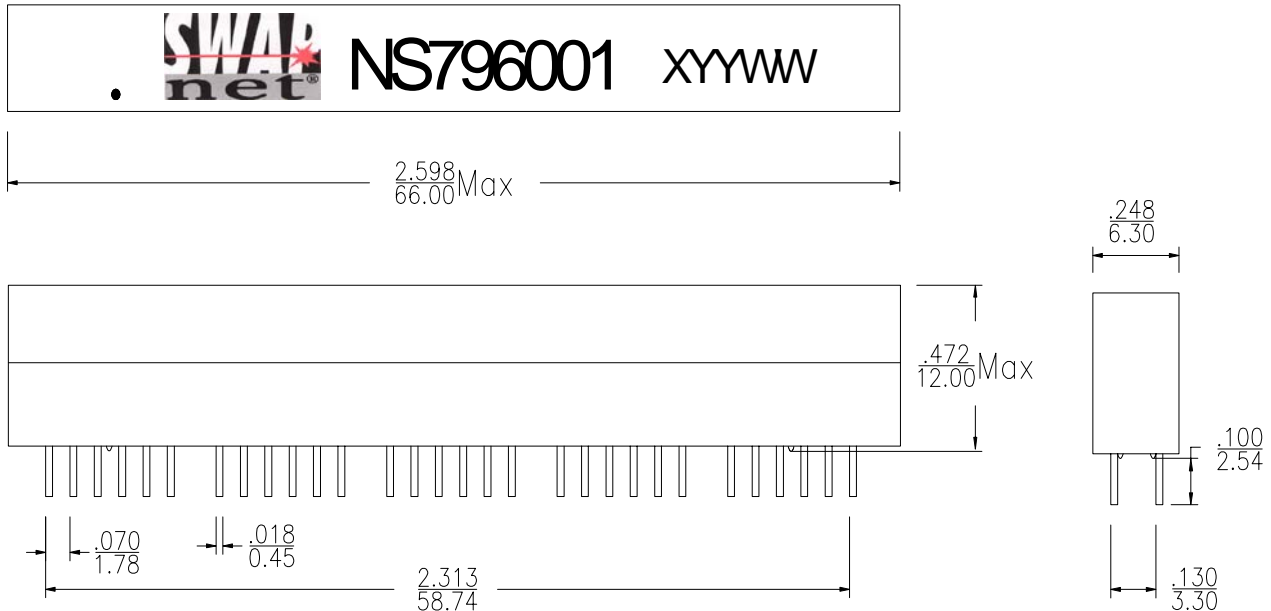
P/N: NS796001

- ★ IEEE 802.3ab/ANSI X3.263 compliant performance
- ★ Symmetrical Tx and RX channels for auto MDI/MDIX capability
- ★ Lead-Free & Designed to meet ROHS requirement
- ★ Primary inductance 350μH min. with 8mA DC Bias
- ★ Operating temperature range: 0°C to +70°C
- ★ Storage temperature range: 0°C to +85°C

Electrical Specifications @ 25°C

Part Number	Turn Ratio	Insertion Loss 1~100MHz (dB Max)	Return Loss (dB Min)				Cross Talk (dB Min)	DCMR (dB Min)	CWW (PF type)	DCR (Ω Max)	Hi-Pot (Vrms MIN)
			1-30MHz	40MHz	60MHz	80MHz					
NS796001	1CT:1CT	-1.1	-18	-15	-13	-11	-30	-30	25	0.9	1500

Mechanical



Dimensions: Inches/mm

Unless otherwise specified, tolerances: xx.x0±0.30 (mm)

0.xx±0.05(mm)

Data sheet subject to change without notice

Headquarter: 13F, No. 111-5, Hsing Te Rd., Sun Chung City, Taipei Taiwan R.O.C.

TEL: +886-2-85123848 FAX: +886-2-85123862

Overseas Operation Office:

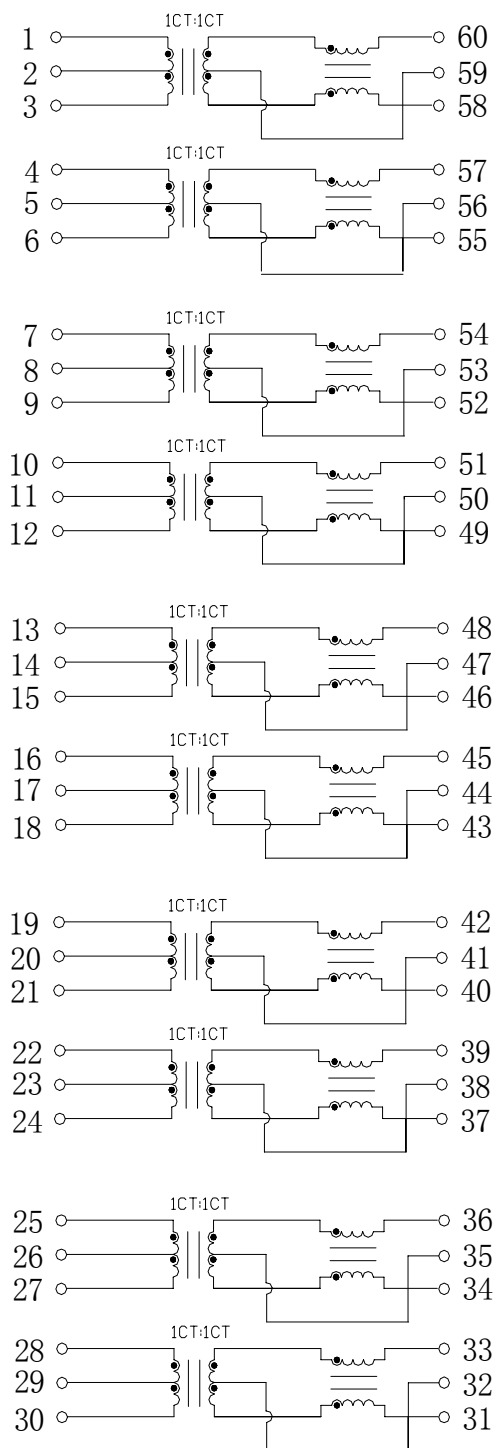
Hong Kong Shanghai Shenzhen



P/N: NS796001

10/100Base-T Five Port Transformer Module

Schematics



Headquarter: 13F, No. 111-5, Hsing Te Rd., Sun Chung City, Taipei Taiwan R.O.C.

TEL: +886-2-85123848 FAX: +886-2-85123862

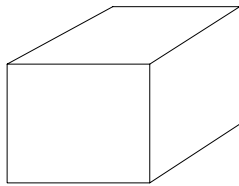
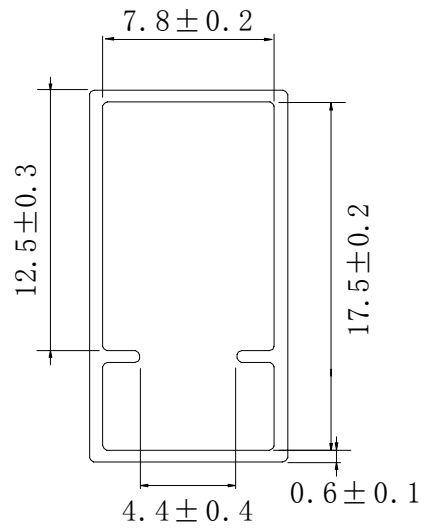
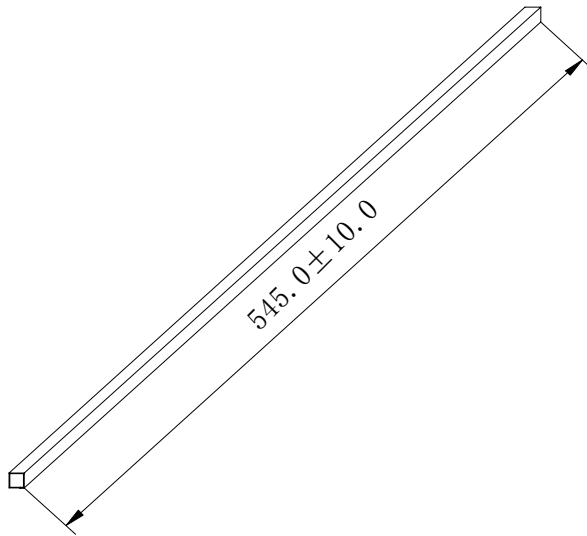
Overseas Operation Office:

Hong Kong Shanghai Shenzhen

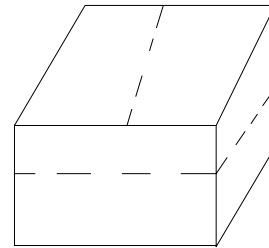


10/100Base-T Five Port Transformer Module

P/N: NS796001



INNER BOX: 570 (L) X180 (W) X100 (H)



EXPORT CARTON: 580 (L) X380 (W) X240 (H)

Units: mm

- 1、 MATERIAL TRANSPARENT: PVC
PLUG COLOR: WHITE
- 2、 ONE TUBE: 8PCS
- 3、 ONE INNER BOX: 576PCS
- 4、 ONE CARTON: 2304PCS

Headquarter: 13F, No. 111-5, Hsing Te Rd., Sun Chung City, Taipei Taiwan R.O.C.
TEL: +886-2-85123848 FAX: +886-2-85123862
Overseas Operation Office:
Hong Kong Shanghai Shenzhen