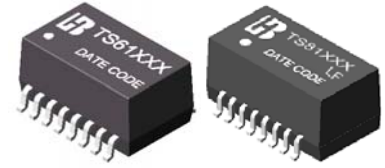


10/100 BASE PULSE TRANSFORMERS (SMD) SMALL SIZE

- Designed to meet IEEE 802.3u requirement
- High isolation voltages to comply with international safety requirements for LANS
- Compatible with Intel, TDK, QSI, and ICS transceivers
- Operating temperature range: 0°C to +70°C
- Storage temperature range: -25°C to +125°C


Electrical Specifications @ 25°C

Part Number	Insertion Loss (dB Max)	Return Loss (dB Min)				Cross talk (dB Min)		DCMR (dB Min)		
		0.3-100MHz	0.3-30MHz	40MHz	50MHz	60-80MHz	0.3-60MHz	60-100MHz	30MHz	60MHz
TS6121A	-1.15	-18	-15.5	-13	-12	-45	-35	-40	-35	-30
TS6121C	-1.15	-18	-15.5	-13.6	-12	-45	-35	-40	-35	-30
TS6121CX	-1.15	-18	-15.5	-13.6	-12	-45	-35	-40	-35	-30
TS6121K	-1.15	-18	-15.5	-13.0	-12	-45	-35	-42	-37	-33
TS8121A	-1.15	-18	-15.5	-13	-12	-45	-35	-40	-35	-30
TS8121C	-1.15	-18	-15.5	-13.6	-12	-45	-35	-40	-35	-30
TS8121CX	-1.15	-18	-15.5	-13.6	-12	-45	-35	-40	-35	-30

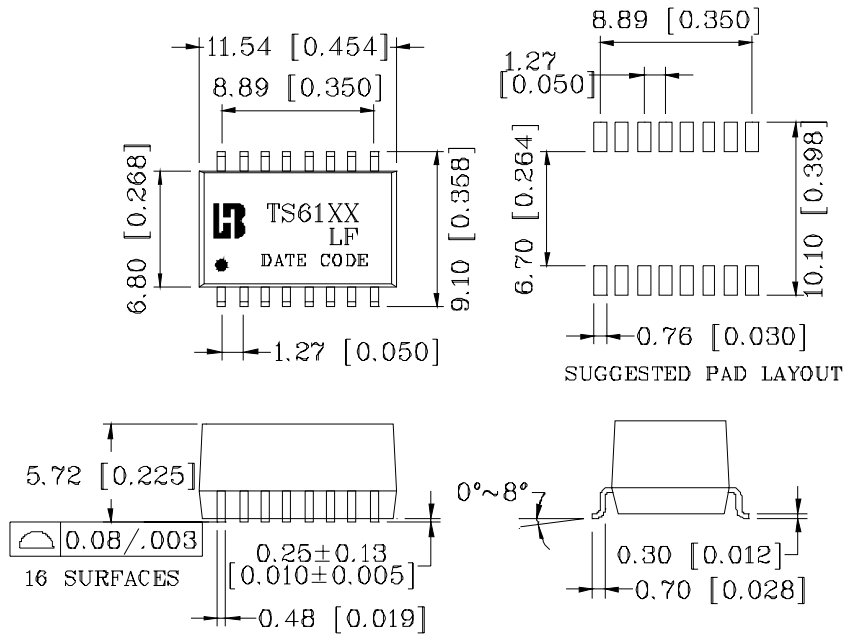
Continue

Part Number	Turns Ratio (±5%)		OCL (uH Min) @100KHz/0.1V with 8.0mA DC	Mech	HI-POT (Vrms)	PRI PINS
	1-3:16-14	6-8:11-9				
TS6121A	1CT:1CT	1CT:1CT	350	TS-A	1500	(16-14)&(11-9)
TS6121C	1CT:1CT	1CT:1CT	350	TS-A	1500	(1-3)&(6-8)
TS6121CX	1CT:1CT	1CT:1CT	350	TS-A	1500	(1-3)&(6-8)
TS6121K	1CT:1	1CT:1CT	350	TS-B	1500	(1-3)&(6-8)
TS8121A	1CT:1CT	1CT:1CT	350	TS-C	1500	(16-14)&(11-9)
TS8121C	1CT:1CT	1CT:1CT	350	TS-C	1500	(1-3)&(6-8)
TS8121CX	1CT:1CT	1CT:1CT	350	TS-C	1500	(1-3)&(6-8)

For customized parts or more detailed information, please log on www.bothhand.com.tw or write to sales@bothhand.com.tw

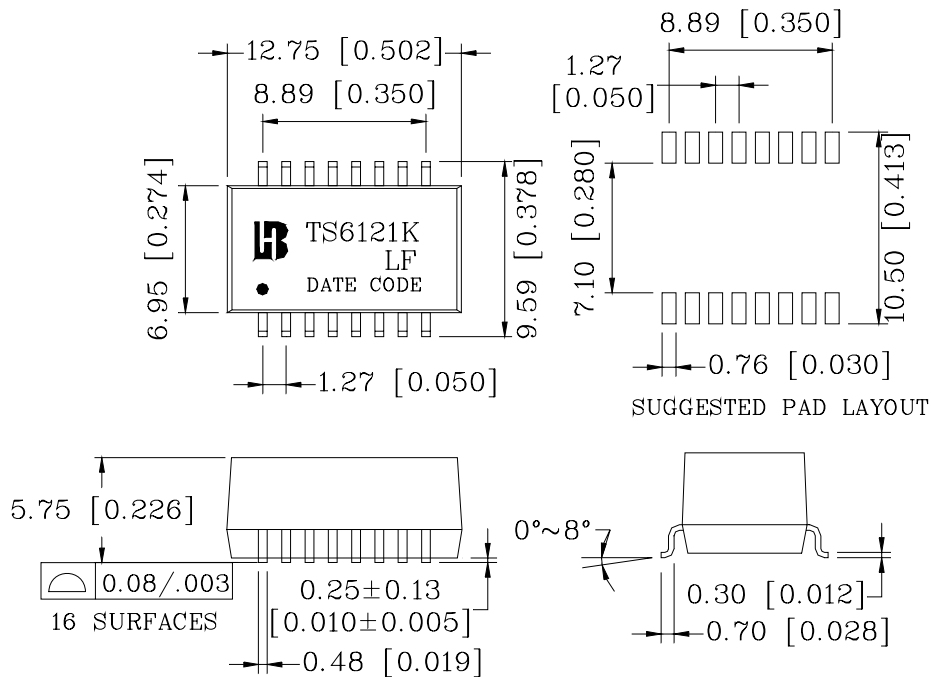
Mechanicals

TS-A



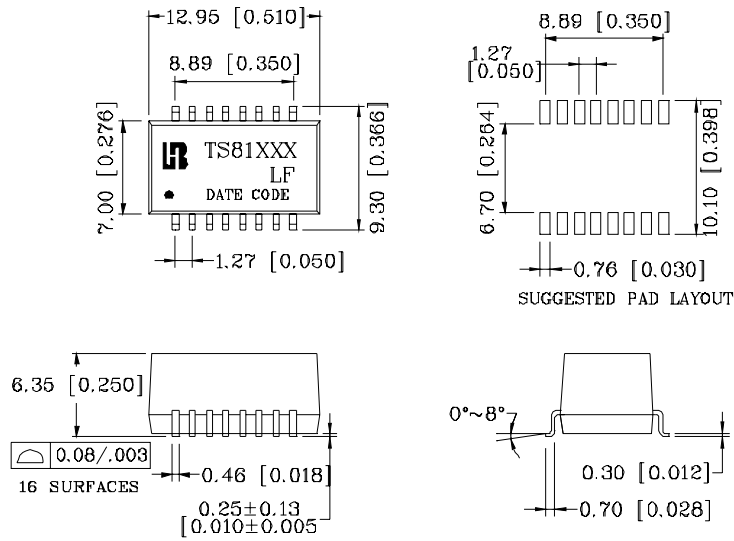
Units: mm[Inches] all Tolerance are : ±0.25[0.010]

TS-B



Units: mm[Inches] all Tolerance are : ±0.25[0.010]

TS-C

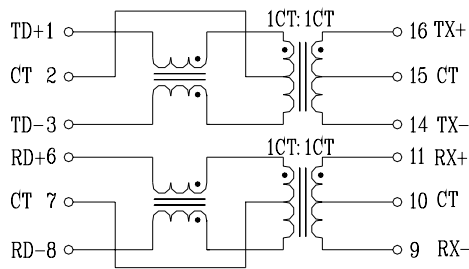


Units: mm[inches] all Tolerance are :±0.25[0.010]

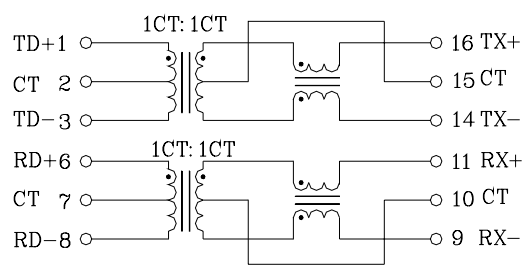
Specification	Packing Manner	Q'ty per Tube/Reel	Q'ty/ Inner box	Q'ty/ Carton
TS-A	TUBE	44	4224	16896
	REEL	750	750	3750
TS-B	TUBE	40	3840	15360
	REEL	600	600	3000
TS-C	TUBE	39	4680	18720
	REEL	500	500	2500

Schematics

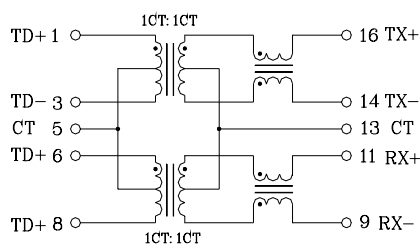
TS6121A/TS8121A



TS6121C/TS8121C



TS6121CX/TS8121CX



TS6121K

